



**MADE IN
BELGIUM**

**20
YEAR
WARRANTY**

LET US **STEEL** YOUR HEART

telluria

A woman in a white sweater and blue jeans is lifting a young child into the air. They are in a modern outdoor lounge area with a dark grey metal structure. In the background, a man and a woman are sitting on a sofa, and there are potted plants and a table with drinks. The scene is set in a residential area with a house and a fence visible.

Solid steel top quality all year round

And when it rains, whisper quiet ...*

Contents

About us	5
Standard features & colours	8
Classico	9
Lounge	12
Classico+	18
DUO	20
Luminato	22
Garage	26
Options	30
Singolo	34
Boxes	36
Fence	44
Steel	49



TELLURIA, let us **STEEL** your heart

We deem layout and comfort to be paramount in our homes. So why not in the garden too? It's all possible with our **TELLURIA** storage unit. Lend your garden the touch of elegance it deserves.

All photographs in this brochure may vary from the actual products

The storage unit is a win-win solution, and is a real eye-catcher to boot. The storage unit is available in different sizes. There is a choice between 3 colours (white, light-grey and anthracite).



Without inside wall



With inside wall

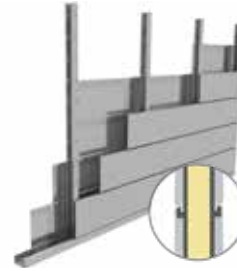


USEFUL TIPS
BEFORE STARTING THE
ASSEMBLY:



*View our
Website*





<> 8 cm

With the free space in between the inner and outer wall, insulation and utilities can be easily integrated!



STRONG AND DURABLE

The galvanised supporting structure guarantees longevity. Steel is the **material of the future**.



SECURE

Using steel means safer construction, less maintenance, fewer foundation issues and **no need for heavy construction** equipment.



QUICK AND EASY ASSEMBLY

The system is made up of prefabricated components that are **easy to assemble**. Brief instruction or a concise manual is all that is needed for quick assembly.



CONTEMPORARY LOOK&FEEL

TELLURIA offers a range of finish options **for a contemporary, functional look&feel** that dovetails effortlessly with most building styles and settings.



NO MAINTENANCE

Do it the easy way with an Classico garden building. A steel construction requires **less maintenance than a timber one**. Touching up the paintwork is superfluous as the garden building always looks as good as new.



ECOLOGICAL FOOTPRINT

The constructions are **100% recyclable and can be re-used**. Being lightweight in construction, Telluria can be transported very efficiently. The constructions are supplied in kit format. Accordingly, there is no waste or surplus consumption of energy, water or other resources.

Standard features:

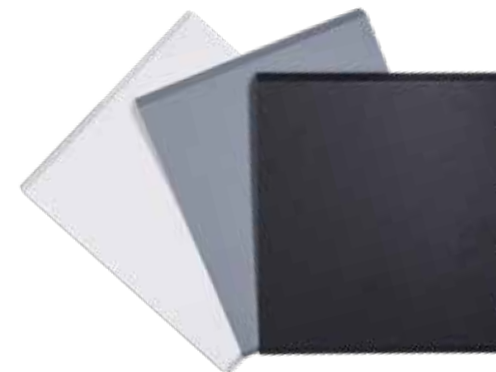
- The roof is made up of insulated sandwich panels (4cm)
The underside of the roof is always white
- Door with plexi opaque glass, 4mm (clear)
- Cylinder door lock (lock has 3 keys)
- The eaves and the door are in anthracite
- The corners are in anthracite or white
- The eaves are 10cm/15cm wide
- The external sheets are made of hot-dipped galvanised steel (0.9mm)
- Roof pitch: 2°
- Integrated gutter with outlet (Ø60mm)
- Ventilated
- Anchor bolts are supplied as standard
- The Lounge and Singolo are standard equipped with an inside wall
- Floor frame

Colours:

WHITE	Similar to RAL 9003 Corners also available in white
ANTHRACITE	Similar to RAL 7043
LIGHT-GREY	Similar to RAL 7001



Hard as
STEEL against
condensation

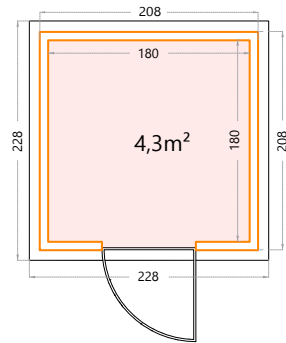


Classico 21 series

Height: 219cm.

Door opening - single door: 85x196cm.

2121: External dimensions: 208x208cm - Internal dimensions: 180x180cm.

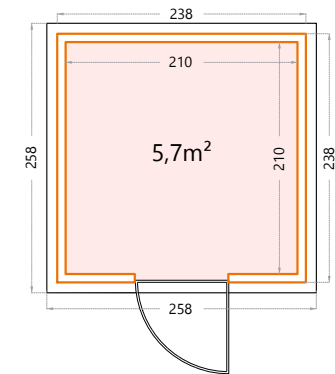


Classico 24 series

Height: 219cm.

Door opening - single door: 85x196cm.

2424: External dimensions: 238x238cm - Internal dimensions: 210x210cm.

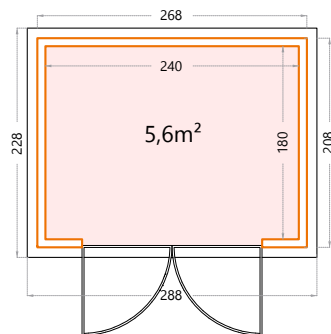


Classico 27 series

Height: 219cm.

Door opening - double door: 175x196cm.

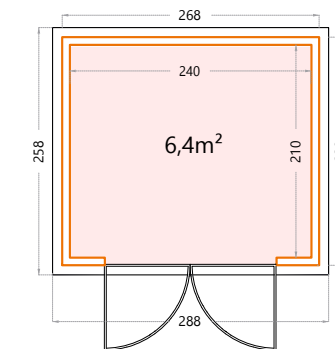
2721: External dimensions: 268x208cm - Internal dimensions: 240x180cm.



Height: 219cm.

Door opening - double door: 175x196cm.

2724: External dimensions: 268x238cm - Internal dimensions: 240x210cm.



CLASSICO

GIVE YOUR GARDEN THE ELEGANCE IT DESERVES

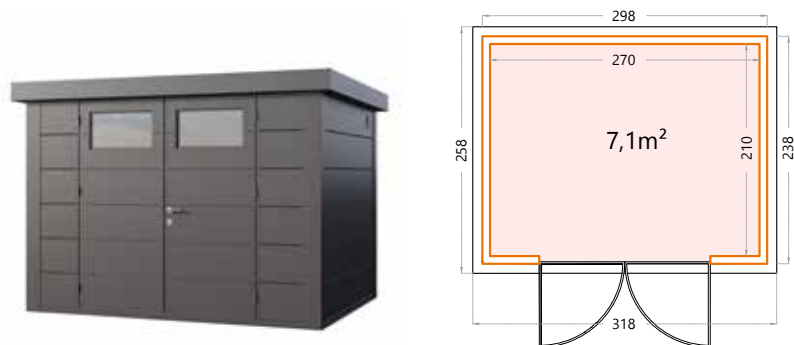


Classico 30 serie

Height: 219cm.

Door opening - double door: 175x196cm.

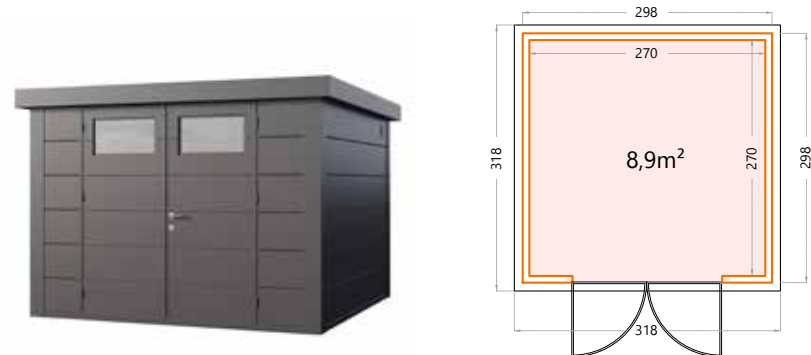
3024: External dimensions: 298x238cm - Internal dimensions: 270x210cm.



Height: 219cm.

Door opening - double door: 175x196cm.

3030: External dimensions: 298x298cm - Internal dimensions: 270x270cm.

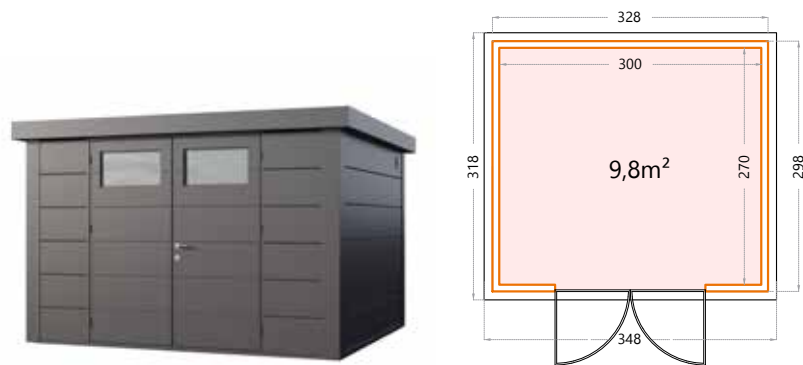


Classico 33 serie

Height: 219cm.

Door opening - double door: 175x196cm.

3330: External dimensions: 328x298cm - Internal dimensions: 300x270cm.

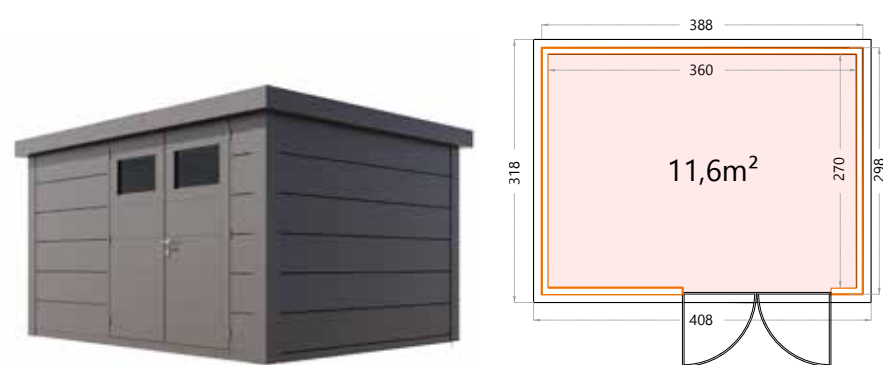


Classico 39 serie

Height: 219cm.

Door opening - double door: 175x196cm.

3930: External dimensions: 388x298cm - Internal dimensions: 360x270cm.



LOUNGE

LET YOUR GARDEN STAND OUT!

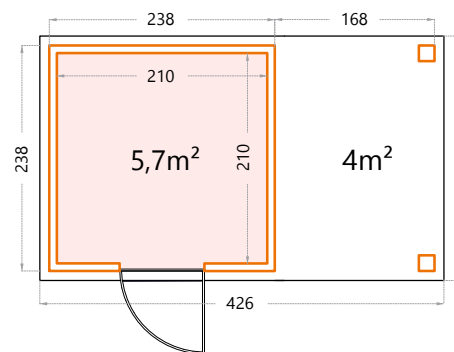


Open Lounge Small

Height: 219cm.
 External dimensions: 168x238cm - Internal dimensions: 154x210cm.
 Canopy to the left or right. **Only available in Anthracite.**



This can only be combined with the Classico:
 2424 · 2724
 3024



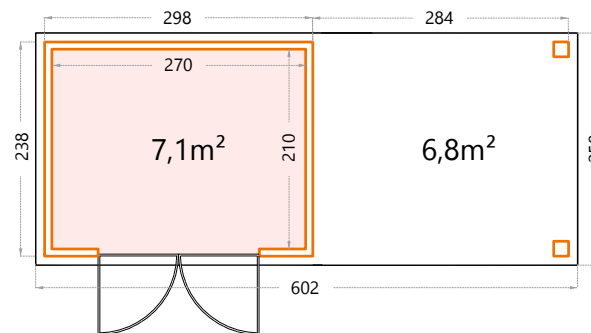
As example Classico 2424 with open lounge small.

Open Lounge Large

Height: 219cm.
 External dimensions: 284x238cm - Internal dimensions: 270x210cm.
 Canopy to the left or right. **Only available in Anthracite.**



This can only be combined with the Classico:
 2424 · 2724
 3024



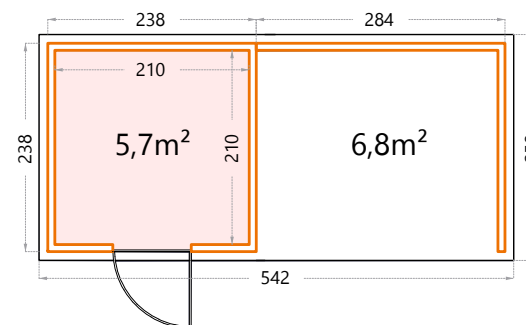
As example Classico 3024 with open lounge large.



Lounge Small

Height: 219cm.
 External dimensions: 284x238cm - Internal dimensions: 270x210cm.
 Canopy to the left or right.

This can only be combined with the Classico:
 2424 - 2724
 3024

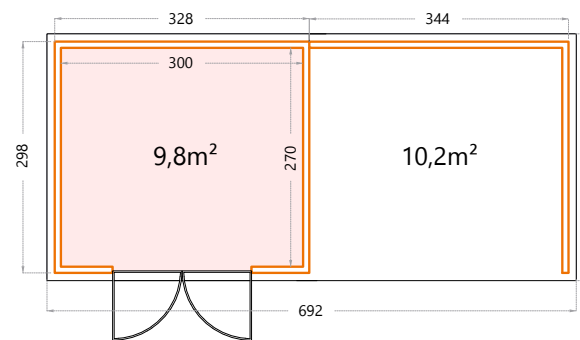


As example Classico 2424 with Lounge Small.

Lounge Large

Height: 219cm.
 External dimensions: 344x298cm - Internal dimensions: 330x270cm.
 Canopy to the left or right.

This can only be combined with the Classico:
 3030 - 3330



As example Classico 3330 with Lounge Large.



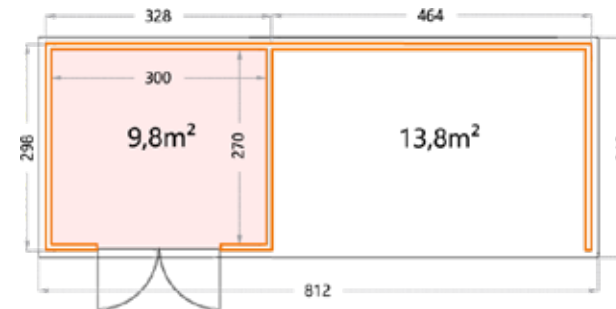
Eat
Drink
RELAX
BE HAPPY

Classico 3030 + Lounge Large left

Lounge extra large

Height: 219cm.
 External dimensions: 464x298cm - Internal dimensions: 450x270cm.
 Canopy to the left or right.

This can only be combined with the Classico: 3030 - 3330



As example Classico 3330 with Lounge extra large.

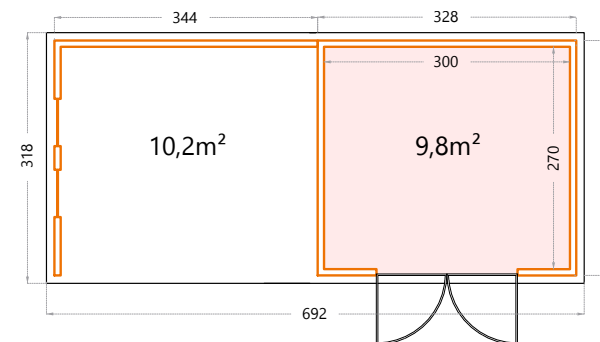
Option windows

The option of windows is possible for lounge small, lounge large and lounge extra large.
 Windows: fixed

Possible for Lounge small/ large/extra large



LOUNGE OPTION



As example Classico 3330 with Lounge Large.

CLASSICO+

JUST THAT LITTLE BIT EXTRA



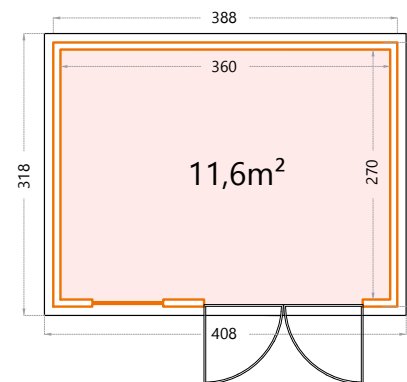
Classico 3930+

Height: 260cm.

Door opening - double door: 175x196cm.

3930+: External dimensions: 388x298cm - Internal dimensions: 360x270cm.

Window: fixed (clear)



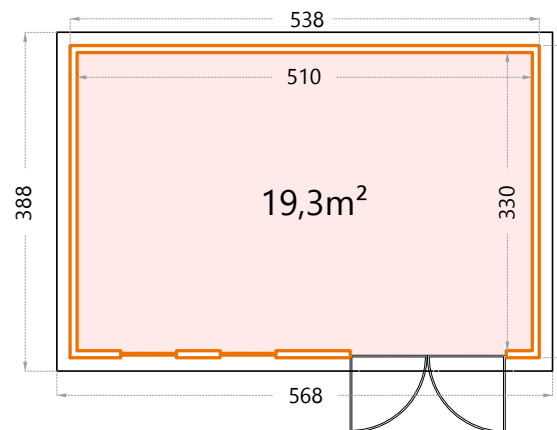
Classico 5436+

Height: 265cm.

Door opening - double door: 175x196cm.

5436+: External dimensions: 538x358cm - Internal dimensions: 510x330cm.

Windows: tilt



DUO

IT'S MORE FUN WITH TWO

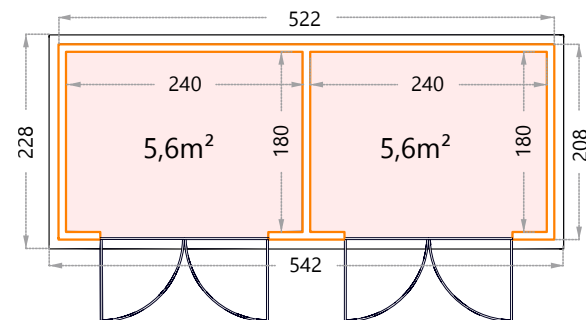


DUO 2721

Height: 219cm.

Door opening - double door: 175x196cm.

2721: External dimensions: 522x208cm.

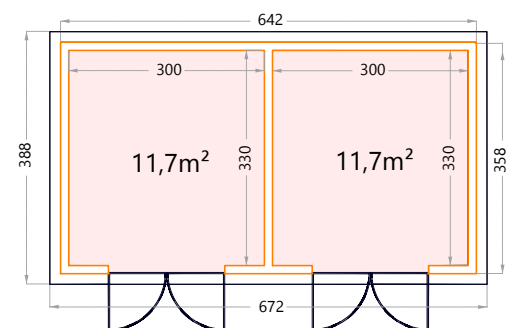


DUO 3336+

Height: 265cm.

Door opening - double door: 175x196cm.

3336+: External dimensions: 642x358cm.



LUMINATO

CREATE YOUR UNIQUE PLACE



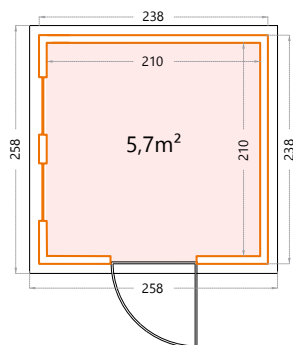
Luminato

Height: 219cm.

Door opening - single door: 85x196cm.

2424: External dimensions: 238x238cm - Internal dimensions: 210x210cm.

Windows: tilt, possibly left or right.

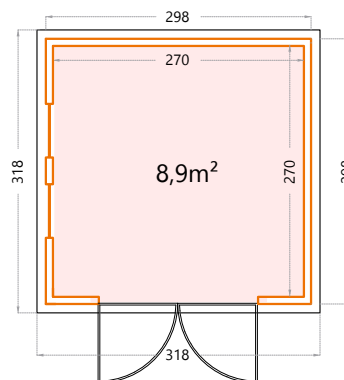


Height: 219cm.

Door opening - double door: 175x196cm.

3030: External dimensions: 298x298cm - Internal dimensions: 270x270cm.

Windows: tilt, possibly left or right.



Create your unique place

The Luminato may just be the highlight in our stunning range of garden units. The long glass windows and doors allow in plenty of natural light, creating a handy and highly multifunctional space. You can use it in so many different ways. For some, it's a spot to relax with a cup of tea and a good book, for others it's the perfect place for their fitness equipment or garden office.

We are certain that you will find the Luminato illuminating. Not only in the daytime, because it will undoubtedly inspire you to set up cosy evenings.

LUMINATO



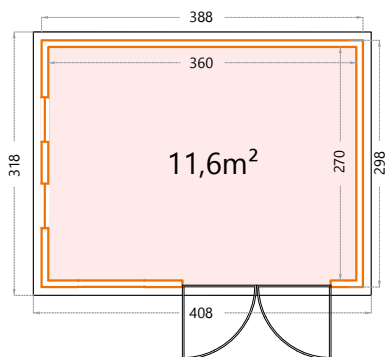
Luminato

Height: 219cm

Door opening - double door: 175x196cm.

3930: External dimensions: 388x298cm - Internal dimensions: 360x270cm.

Windows: tilt, possibly left or right.

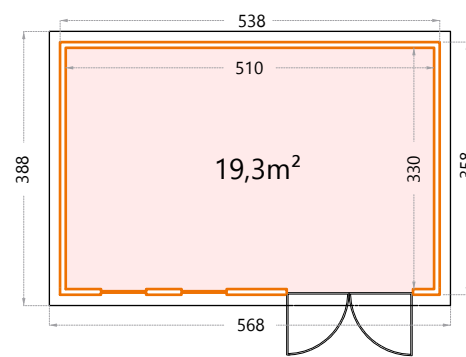


Height: 265cm

Door opening - double door: 175x196cm.

5436+: External dimensions: 538x358cm - Internal dimensions: 510x330cm.

Windows: tilt.



GARAGE



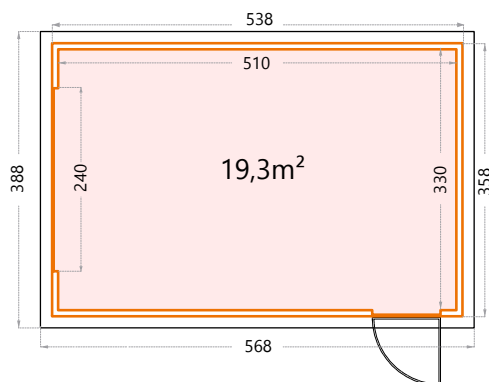
Garage

Height: 265cm.

3654: External dimensions: 358x538cm - Internal dimensions: 330x510cm.

Opening of the garage door: 240x200cm.

Window: fixed (clear)

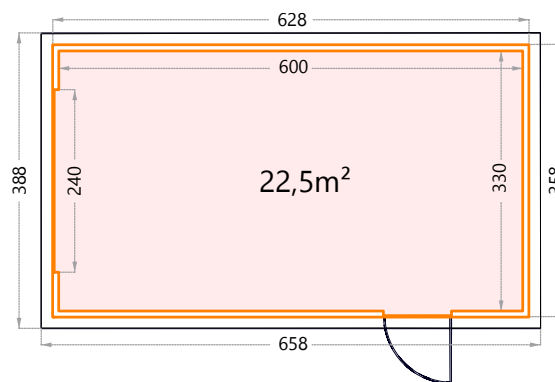


Height: 265cm.

3663: External dimensions: 358x628cm - Internal dimensions: 330x600cm.

Opening of the garage door: 240x200cm.

Window: fixed (clear)



Sustainable, maintenance-friendly, STEEL garage

You should always be able to count on it. To take you to great parties in the summer. But also to be able to drive around safely in the winter. There are plenty of reasons to take care of it. That's right. Your car. There's nothing more annoying than a car that won't start or is far too hot for you to sit inside.

The solution is a dependable and affordable garage. One that is quick and easy to construct without having to use heavy tools and machinery. One with a modern look and that's been made with the environment in mind. You don't have to worry about the maintenance because the durable materials make it unnecessary.





Ventilation

The ventilation grille ensures that the room is sufficiently ventilated so that any exhaust fumes or other disturbing odours can easily find their way out.



Drainage

The garage is equipped with a drainpipe that drains the rainwater away. The garage 3663 has 2 water drain pipes. (Ø60mm)



Window (fixed and clear)

The window provided in the garage has double glazing and brings some light into the darkness.



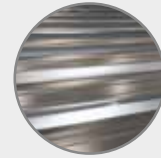
Colours

The garage is available in three modern colours. White, light grey, and anthracite. There's a colour to suit everyone's preference.



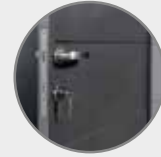
Garage door

The electric door ensures ideal ease of use on both departure and arrival. The motor is equipped with LED lights so you never come home to a dark garage.



Insulation

The roof of the garage is equipped with insulated steel sandwich panels. The free space between the inside and outside wall allows for full insulation of the garage.

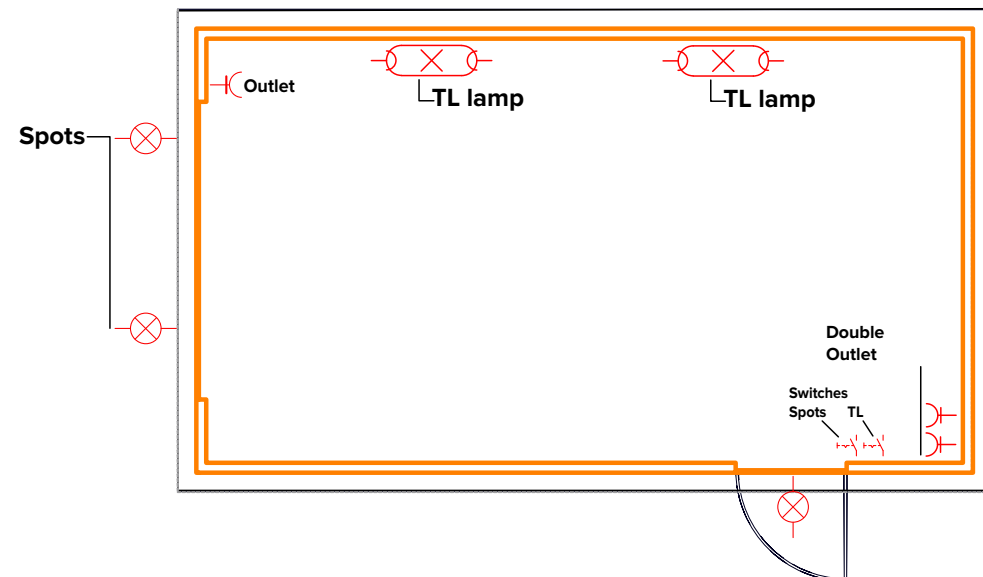


Lock

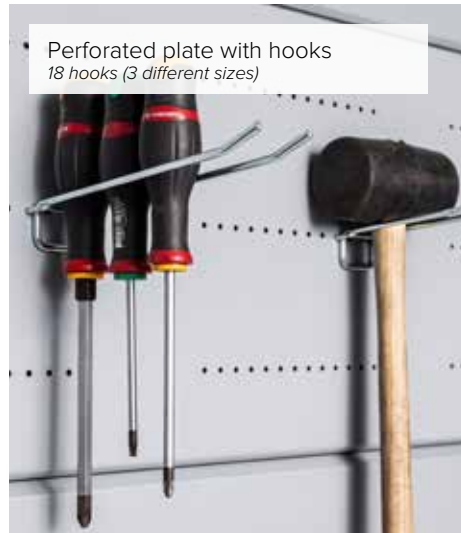
Lastly, let's emphasise safety. The garage has a solid latch and a sturdy lock that together blend beautifully into the gorgeous design of this garage.

Option electricity kit

Option

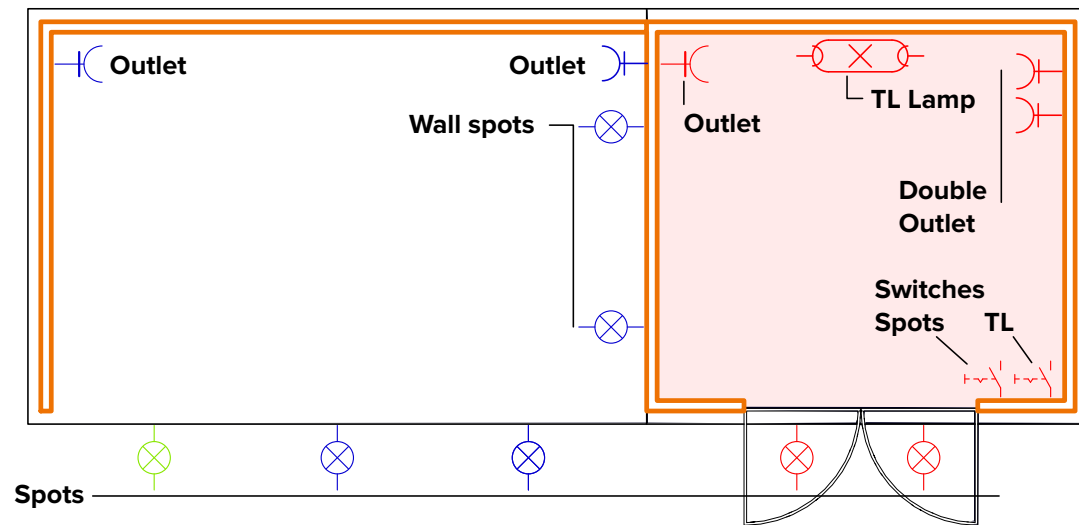


Options:



Option elektricity kit:

- Option Garden House + open lounge : red
- ■ Option Garden House + lounge S/L: red + blue
- ■ ■ Option Garden House + lounge XL: red + blue + green



Option Sliding doors:



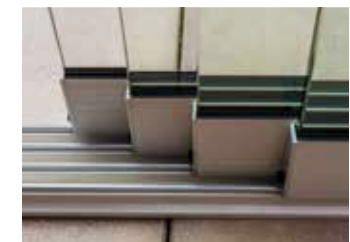
Weather brush



Trackingsystem



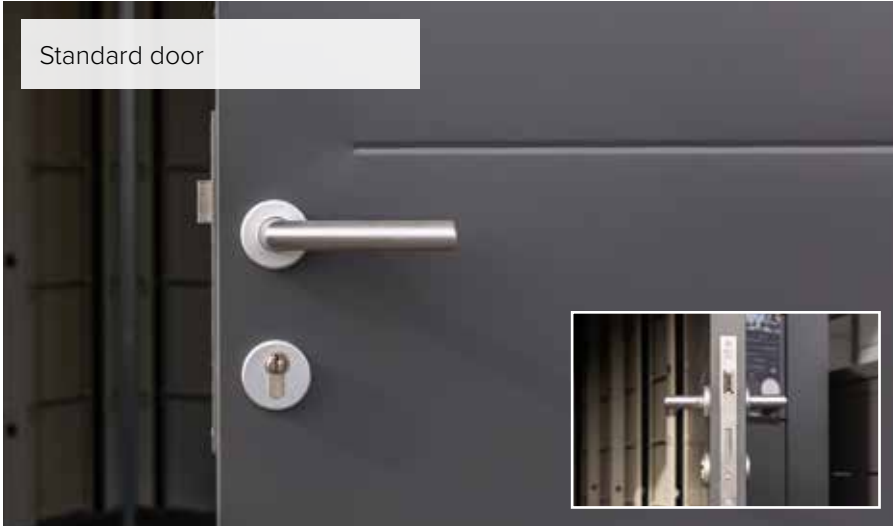
Handle



Floor frame

Detail windows and doors

Standard door



Door Luminato



Window: tilt



Window: fixed



SINGOLO

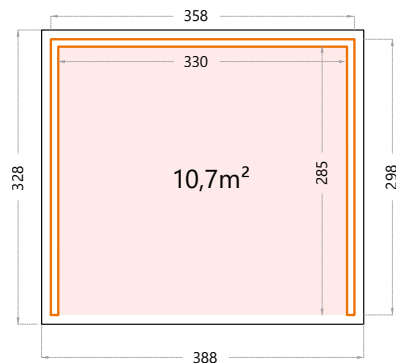
JUST THAT LITTLE BIT EXTRA



Singolo

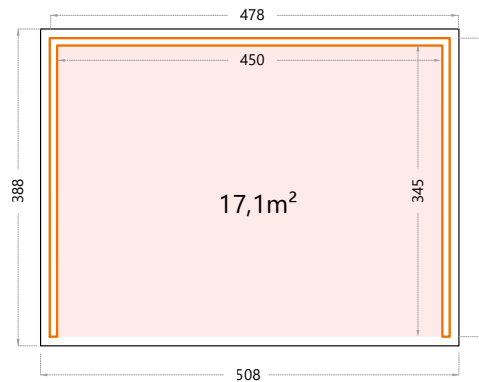
Height: 265cm.

3630: External dimensions: 358x298cm - Internal dimensions: 330x285cm.
The inside wall is always light grey



Height: 265cm.

4836: External dimensions: 478x358cm - Internal dimensions: 450x345cm.
The inside wall is always light grey

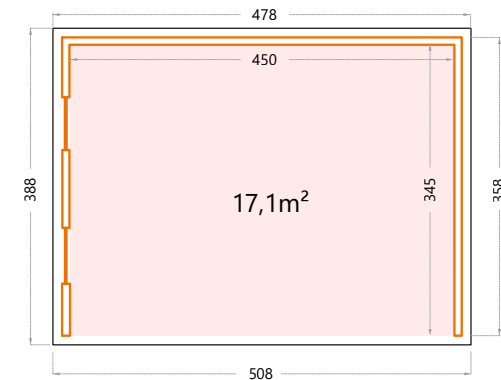


Option windows

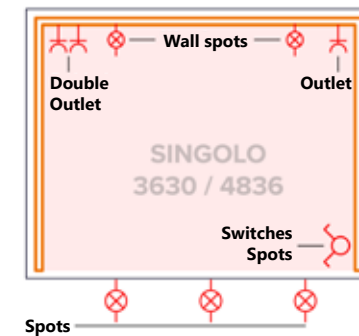
Option

Windows option is possible with Singolo 4836 and 3630
Windows: Fixed, possibly left or right.

As an example Singolo 4836 with windows on the left.



Option electricity kit



Home is where the heart is, especially the garden. Everyone loves spending time outside don't they? Read a good book while the sun radiates a warm glow and the rustling wind cools you down a little.

Or a chat to de-stress after a long day. At the bar or in the jacuzzi. But let's be honest. The weather is not always what we want it to be.

But there's a solution: SINGOLO to the rescue! Choose between two sizes and whether you want windows or not. It will certainly keep you dry and cosy. Summer and winter.

— including overhanging eaves

NEVIO BOXES

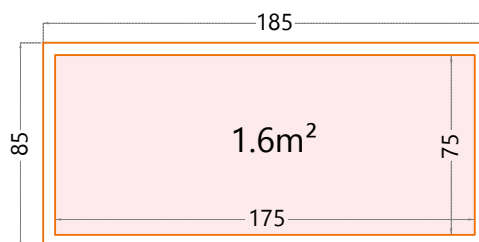
FOR WHEN YOU WANT A DRY BUM



Nevio

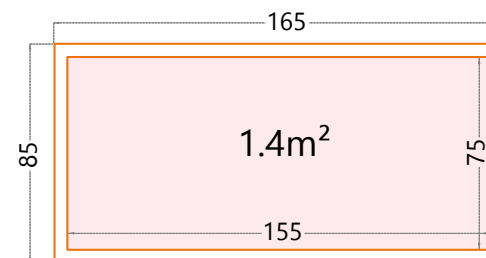
Height: 85cm.

Nevio 180: External dimensions: 185x85cm
Internal dimensions: 175x75cm.



Height: 85cm.

Nevio 160: External dimensions: 165x85cm
Internal dimensions: 155x75cm.



Although most garden cushions can withstand a little rain, it's still nice to be able to store them somewhere dry during periods of prolonged rain. Preferably within easy reach, of course. And if possible, in a container that's also decorative.

The Nevio lives up to all of those promises. It keeps your cushions dry and protects them from pests, so that your cushions will last longer and your bum will always be dry.

Option wheels

Option



2 wheels with brake incl.

CESTINO BOXES

DON'T LET YOUR WASTE STAND OUT

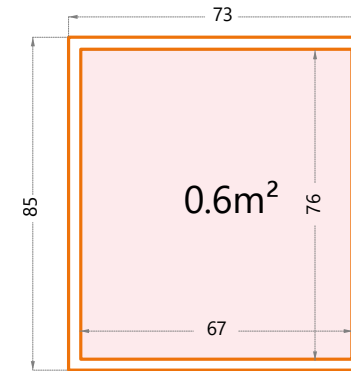




Cestino

Height: 132cm.

Cestino: External dimensions: 73x85cm - Internal dimensions: 67x76cm.



Or do... because the Cestino also adds beauty to your home. No more green or yellow waste containers marring your garden, patio, or driveway. Hide them away in style from now on.

The Cestino has the perfect look and dimensions. It can be locked using a key and is accessible from the top and the front. It stands out, but in the very best way.

Option connector

Option



VELOTTO

THE MASTER OF BICYCLE CHAOS





Velotto

Height: 142cm.

Velotto: External dimensions: 203x75cm

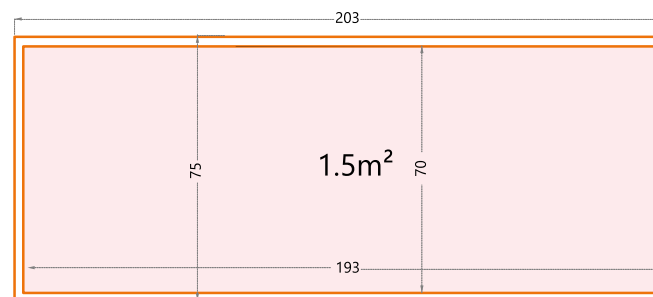
Internal dimensions: 193x70cm.



Lock has 2 keys



2 x outlets incl.



Meet the Velotto: the master of bicycle chaos!

With room for as many as two bikes. Whether it's a sporty race bike, a cool mountain bike or comfortable city bike, the Velotto provides handy and decent storage to protect your precious two-wheelers. Thanks to the lock supplied you can rest assured. They are both dry and secure.

No more fuss with bikes that fall over and get in the way. No more wrestling with a mess of bikes in your garage.

The container has two doors, which can be folded so the Velotto can also be installed in a narrower passageway. The top of the container is insulated so it stays quiet in the rain.

But that is certainly not all. It also has an extra power function, quite literally. Indeed, it is equipped with electrical sockets, allowing you to charge your electric bikes inside.

Velotto, the steel storage container and firm favourite for your bikes

GIARMADIO

THE DON JUAN OF TELLURIA



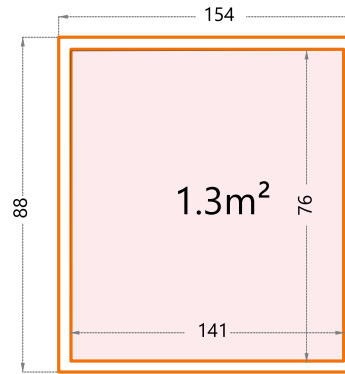
Giarmadio

Height: 193cm.

Giarmadio: External dimensions: 154x88cm
Internal dimensions: 141x76cm.



Lock has 2 keys



1 x rails set + 1 x Shelf set (M) incl.

Rails set



Shelf set (small/medium/large)



Tool set



Option

Looking for a steel storage space to keep your garden tools safe and make your neighbours green with envy? Then Giarmadio is exactly what you need. As cool as a Viking, as strong as a sumo wrestler and as handy as can be. It keeps all your precious tools safe and provides protection from wind and weather. With its insulated top it also stays quiet when it rains. But that's not all! It ensures that you never get lost in your pile of tools. The Giarmadio can be upgraded with handy shelves and hooks to keep everything neat and tidy and instantly accessible. So, you will never have to hunt for that lost screwdriver again! And, let's admit it, it would look lovely in your garden or on the balcony of your apartment, because it is also really useful for storing brooms, watering cans and other small equipment. Extra storage space is always an advantage.

FENCE



A modern STEEL fence

We are living with increasing levels of pressure and stress. Often, the only place we can relax is at home. Alone or with our family.

And to be fair, we would rather not be disturbed after a busy day if we are looking for some peace and quiet. Our garden is a little piece of paradise that will always be there. So embrace that blissful place. Embrace it sustainably and with both hands. Embrace it with our Telluria fence.

An elegant solution to guarantee your privacy. The sleek design matches any garden. Whether you have a romantic English garden full of lush flowers, or a sleek garden with trained lime trees and a swimming pond.

This fence will provide the finished detail without taking the attention away from your garden.



5 plates high

Dimensions:
168cm high and
180cm wide.

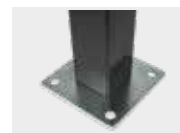


Colour*:

White - Similar to RAL 9003
Antracite - Similar to RAL 7043
Light grey - Similar to RAL 7001

6 plates high

Dimensions:
200cm high and
180cm wide.



Foot

including anchor bolts



Post:

6X6cm
2,8m long



**Top
cover**



U-profile



*The U-profiles, post and top cover are always anthracite





Option

Door 5 plates high

Dimensions:

Thickness: 5cm
168x87cm



Door 6 plates high

Dimensions:

Thickness: 5cm
200x87cm

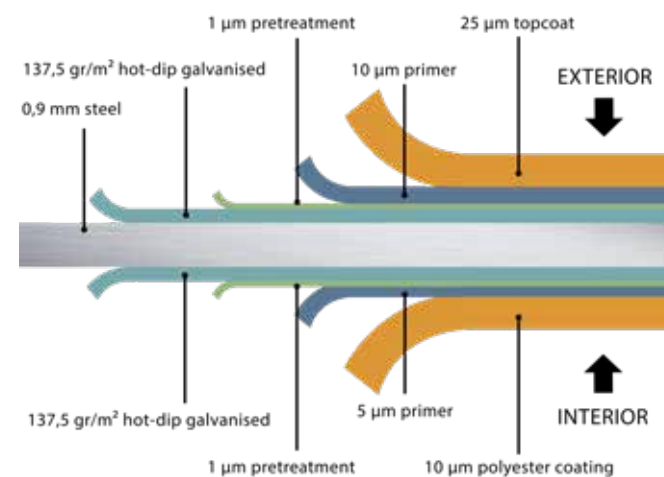




Steel is a sustainable construction material

All profiles are made of galvanised (hot-dipped) steel. The steel plates have a 275g/m² zinc layer, ensuring an Classico garden building never rusts.

TELLURIA only uses high-grade steel delivered by European suppliers.



These suppliers produce steel using state-of-the-art, efficient processes, from raw material to the finished product. This means we can guarantee you optimum product procurement for in your garden.





Revolutionary STEEL construction system



Visit our website
www.telluria.eu

STEEL OF LIFE

TELLURIA is an easy to install steel construction system. The countless benefits of steel mean this system will play a vital role in the future; with its flexibility the system inspires the realisation of people's dream constructions.

ON-SITE PRODUCTION

All TELLURIA components are of European origin, produced at our site in Belgium. Our fully standardised and automated production process is continuously monitored, resulting in premium products. The components and constructions are comprehensively and stringently tested, using only high-grade materials. As a result they can cope with extreme conditions (they are fire-resistant, can withstand high winds ...).



TELLURIA

Steel of Life
+32 (0)12 33 90 00
info@telluria.eu

Produced by Telluria NV

Eastern industrial zone – No. 5 Michielenweg
3700 TONGEREN | Belgium